



NMC9306 256-Bit Serial Electrically Erasable Programmable Memory

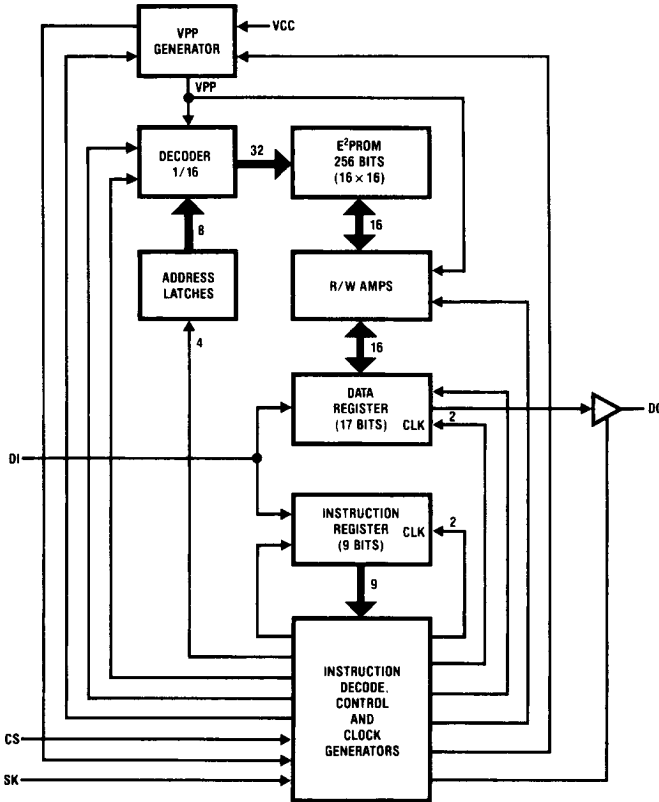
General Description

The NMC9306 is a 256-bit non-volatile sequential access memory fabricated using advanced floating gate N-channel E²PROM technology. It is accessed via the simple MICROWIRE™ serial interface and is designed for data storage and/or timing applications. The device contains 256 bits of read/write memory divided into 16 registers of 16 bits each. Each register can be serially read or written by a COP400 series controller. Written information is stored in a floating gate cell with at least 10 years data retention and can be updated by an erase-write cycle. The NMC9306 has been designed to meet applications requiring up to 4×10^4 erase/write cycles per register. A power down mode reduces power consumption by 70 percent.

Features

- Low cost
- Single supply operation ($5V \pm 10\%$)
- TTL compatible
- 16×16 serial read/write memory
- MICROWIRE compatible serial I/O
- Compatible with COP400 processors
- Low standby power
- Non-volatile erase and write
- Reliable floating gate technology
- Designed for 40,000 erase/write cycles

Block Diagram

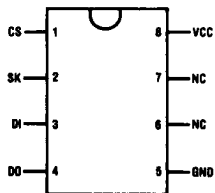


Pin Names	
CS	Chip Select
SK	Serial Data Clock
DI	Serial Data Input
DO	Serial Data Output
V _{CC}	Power Supply
GND	Ground

TL/D/5028-1

Connection Diagram

Dual-In-Line Package (N)

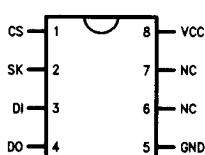


Top View

See NS Package Number N08E

TL/D/5029-10

8-Pin
SO Package (M8)



Top View

See NS Package Number M08A

TL/D/5029-11

Ordering Information

Commercial Temperature Range (0°C to +70°C)

$V_{CC} = 5V \pm 10\%$

Order Number	Device Marking
NMC9306N	NMC9306N
NMC9306M8	9306

Extended Temperature Range (-40°C to +85°C)

$V_{CC} = 5V \pm 10\%$

Order Number	Device Marking
NMC9306EN	NMC9306EN
NMC9306EM8	9306E

Absolute Maximum Ratings

Voltage Relative to GND	+6V to -0.3V
Ambient Storage Temperature	-65°C to +125°C
Lead Temperature (Soldering, 10 seconds)	300°C
ESD rating	2000V

Operating Conditions

Ambient Operating Temperature	0°C to +70°C
NMC9306/COP494	-40°C to +85°C
NMC9306E	
Positive Supply Voltage	4.5V to 5.5V

Note: Stresses above those listed under "Absolute Maximum Ratings" may cause permanent damage to the device. This is a stress rating only and functional operation of the device at these or any other conditions above those indicated in the operational sections of this specification is not implied. Exposure to absolute maximum rating conditions for extended periods may affect device reliability.

Electrical Characteristics $V_{CC} = 5V \pm 10\%$ unless otherwise specified

Parameter	Part Number	Conditions	Min	Typ	Max	Units
Operating Voltage (V_{CC})	NMC9306, NMC9306E		4.5		5.5	V
Operating Current (I_{CC1})	NMC9306	$V_{CC} = 5.5V, CS = 1$			10	mA
	NMC9306E	$V_{CC} = 5.5V, CS = 1$			12	mA
Standby Current (I_{CC2})	NMC9306	$V_{CC} = 5.5V, CS = 0$			3	mA
	NMC9306E	$V_{CC} = 5.5V, CS = 0$			4	mA
Input Voltage Levels V_{IL} V_{IH}	NMC9306		-0.1		0.8	V
			2.0		$V_{CC} + 1$	V
V_{IL} V_{IH}	NMC9306E		-0.1		0.8	V
			2.0		$V_{CC} + 1$	V
Output Voltage Levels V_{OL} V_{OH}	NMC9306, NMC9306E	$I_{OL} = 2.1\text{ mA}$ $I_{OH} = -400\ \mu\text{A}$			0.4	V
			2.4			V
Input Leakage Current	NMC9306, NMC9306E	$V_{IN} = 5.5V$			10	μA
Output Leakage Current	NMC9306, NMC9306E	$V_{OUT} = 5.5V, CS = 0$			10	μA
SK Frequency SK HIGH TIME t_{SKH} (Note 2) SK LOW TIME t_{SKL} (Note 2)	NMC9306		0		250	kHz
			1			μs
			1			μs
SK Frequency SK HIGH TIME t_{SKH} (Note 2) SK LOW TIME t_{SKL} (Note 2)	NMC9306E		0		250	kHz
			1			μs
			1			μs
Input Set-up and Hold Times CS t_{CSS} t_{CSH} DI t_{DIS} t_{DIH}	NMC9306, NMC9306E		0.2			μs
			0			μs
			0.4			μs
			0.4			μs
						μs
Output Delay DO t_{PD1} t_{PD0}	NMC9306, NMC9306E	$C_L = 100\ \text{pF}$ $V_{OL} = 0.8V, V_{OH} = 2.0V$ $V_{IL} = 0.45V, V_{IH} = 2.4V$			2	μs
					2	μs
Erase/Write Pulse Width ($t_{E/W}$) (Note 1)	NMC9306, NMC9306E		10		30	ms
CS Low Time (t_{CS}) (Note 3)	NMC9306, NMC9306E		1			μs

Note 1: $t_{E/W}$ measured to rising edge of SK or CS, whichever occurs last.

Note 2: The SK frequency spec. specifies a minimum SK clock period of 4 μs , therefore in an SK clock cycle, $t_{SKH} + t_{SKL}$ must be greater than or equal to 4 μs . e.g. if $t_{SKL} = 1\ \mu\text{s}$ then the minimum $t_{SKH} = 3\ \mu\text{s}$ in order to meet the SK frequency specification.

Note 3: CS must be brought low for a minimum of 1 μs (t_{CS}) between consecutive instruction cycles.

Functional Description

The NMC9306 is a small peripheral memory intended for use with COPS™ controllers and other non-volatile memory applications. Its organization is sixteen registers and each register is sixteen bits wide. The input and output pins are controlled by separate serial formats. Seven 10-bit instructions can be executed. The instruction format has a logical 0 as a start bit, followed by a logical 1, four bits as an op code, and four bits of address. An SK clock cycle is necessary after CS equals logical 0 followed by a logical 1 before the instruction can be loaded. The on-chip programming-voltage generator allows the user to use a single power supply (V_{CC}). Only during the read mode is the serial output (DO) pin valid. During all other modes the DO pin is in TRI-STATE®, eliminating bus contention.

READ

The read instruction is the only instruction which outputs serial data on the DO pin. After a READ instruction is received, the instruction and address are decoded, followed by data transfer from the memory register into a 16-bit serial-out shift register. A dummy bit (logical '0') precedes the 16-bit data output string. Output data changes are initiated by a low to high transition of the SK clock.

ERASE/WRITE ENABLE AND DISABLE

Programming must be preceded once by a programming enable (EWEN) instruction. Programming remains enabled until a programming disable (EWDS) instruction is executed. The programming enable instruction (EWEN) is needed to keep the part in the enable state if the power supply (V_{CC}) noise falls below operating range. The programming disable instruction is provided to protect against accidental data disturb. Execution of a READ instruction is independent of both EWEN and EWDS instructions.

ERASE (Note 4)

Like most E²PROMS, the register must first be erased (all bits set to 1's) before the register can be written (certain bits

set to 0's). After an ERASE instruction is input, CS is dropped low. This falling edge of CS determines the start of programming. The register at the address specified in the instruction is then set entirely to 1's. When the erase/write programming time ($t_{E/W}$) constraint has been satisfied, CS is brought up for at least one SK period. A new instruction may then be input, or a low-power standby state may be achieved by dropping CS low.

WRITE (Note 4)

The WRITE instruction is followed by 16 bits of data which are written into the specified address. This register must have been previously erased. Like any programming mode, erase/write time is determined by the low state of CS following the instruction. The on-chip high voltage section only generates high voltage during these programming modes, which prevents spurious programming during other modes. When CS rises to V_{IH} , the programming cycle ends. All programming modes should be ended with CS high for one SK period, or followed by another instruction.

CHIP ERASE (Note 4)

Entire chip erasing is provided for ease of programming. Erasing the chip means that all registers in the memory array have each bit set to a 1. Each register is then ready for a WRITE instruction.

CHIP WRITE (Note 4)

All registers must be erased before a chip write operation. The chip write cycle is identical to the write cycle, except for the different op code. All registers are simultaneously written with the data pattern specified in the instruction.

Note 4: During a programming mode (write, erase, chip erase, chip write), SK clock is only needed while the actual instruction, i.e., start bit, op code, address and data, is being input. It can remain deactivated during the Erase/Write pulse width ($t_{E/W}$).

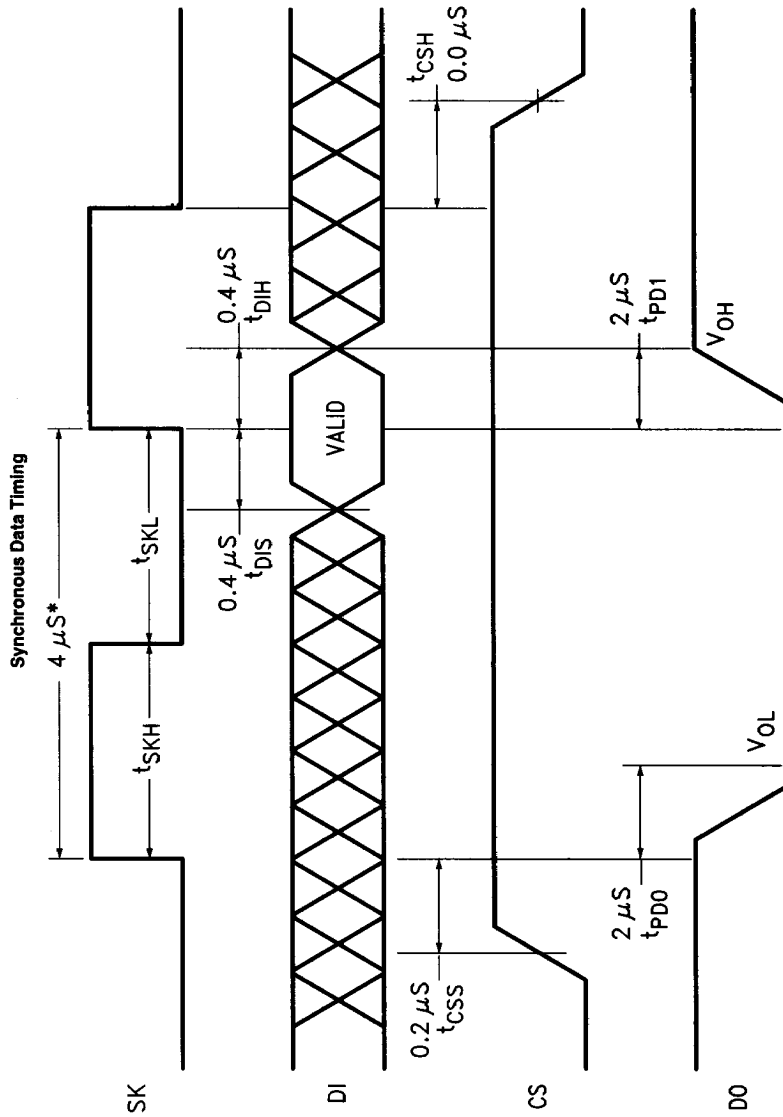
Instruction Set

Instruction	SB	Op Code	Address	Data	Comments
READ	01	10xx	A3A2A1A0		Read Register A3A2A1A0
WRITE	01	01xx	A3A2A1A0	D15 – D0	Write Register A3A2A1A0
ERASE	01	11xx	A3A2A1A0		Erase Register A3A2A1A0
EWEN	01	0011	XXXX		Erase/Write Enable
EWDS	01	0000	XXXX		Erase/Write Disable
ERAL	01	0010	XXXX		Erase All Registers
WRAL	01	0001	XXXX	D15 – D0	Write All Registers

NMC9306 has 7 instructions as shown. Note that MSB of any given instruction is a "1" and is viewed as a start bit in the interface sequence. The next 8 bits carry the op code and the 4-bit address for 1 of 16, 16-bit registers.

X is a don't care state.

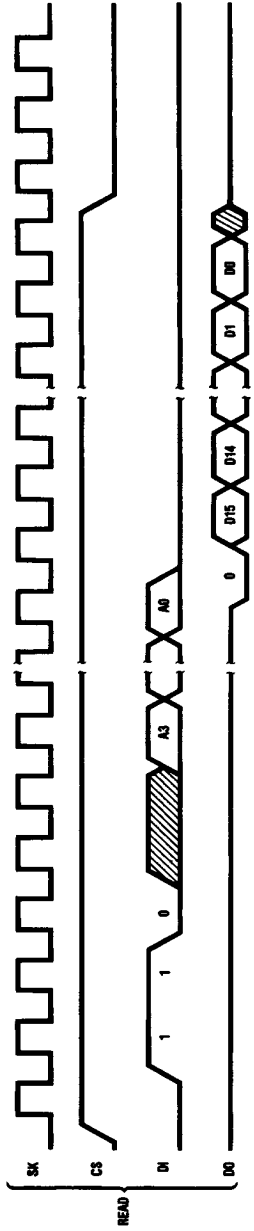
Timing Diagrams



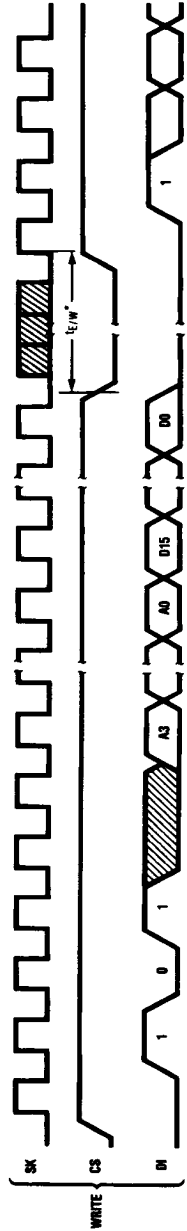
*This is the minimum SK period and is $5 \mu\text{s}$ for NMC9306M

Timing Diagrams (Continued)

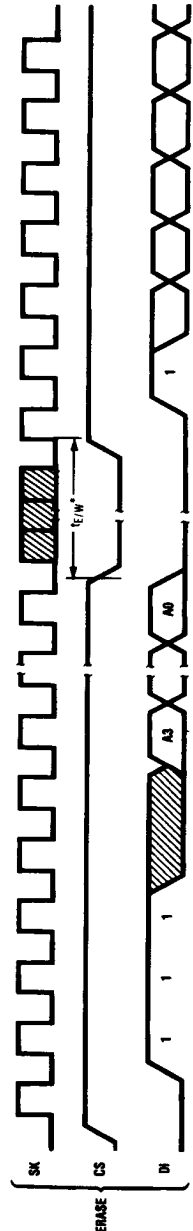
Instruction Timing



TL/D/5029-14



TL/D/5029-15

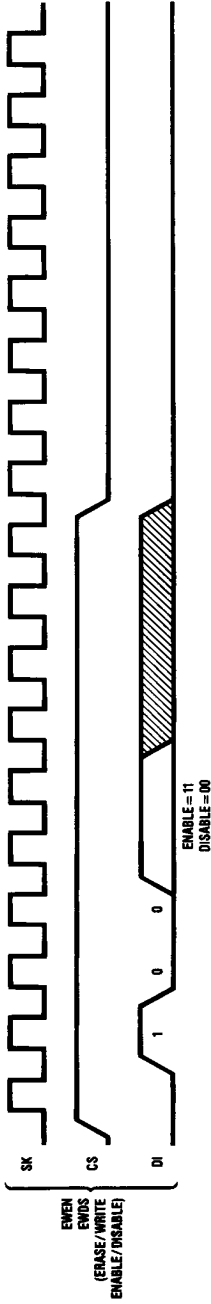


TL/D/5029-16

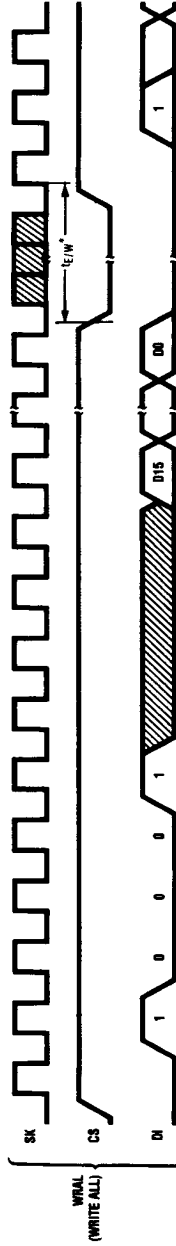
* $t_{E/W}$ measured to rising edge of SK or CS, whichever occurs last.

Timing Diagrams (Continued)

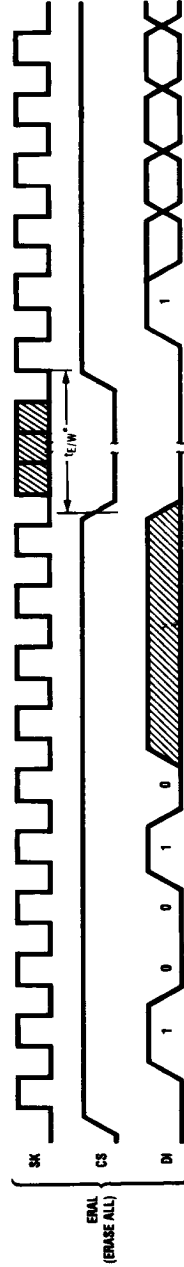
Instruction Timing (Continued)



TU/D/5029-17



TU/D/5029-18



TU/D/5029-19

*tE/W measured to rising edge of SK or CS, whichever occurs last.